
USF Patents

December 2009

Prone cart

Pascal Malassigne

Jeffrey Harrow

Robert Jensen

John Erdman

Follow this and additional works at: http://scholarcommons.usf.edu/usf_patents

Recommended Citation

Malassigne, Pascal; Harrow, Jeffrey; Jensen, Robert; and Erdman, John, "Prone cart" (2009). *USF Patents*. Paper 583.
http://scholarcommons.usf.edu/usf_patents/583

This Patent is brought to you for free and open access by Scholar Commons. It has been accepted for inclusion in USF Patents by an authorized administrator of Scholar Commons. For more information, please contact scholarcommons@usf.edu.



US00D606910S

(12) **United States Design Patent**
Malassigne et al.

(10) **Patent No.:** **US D606,910 S**

(45) **Date of Patent:** **** Dec. 29, 2009**

(54) **PRONE CART**

(75) Inventors: **Pascal Malassigne**, White Fish Bay, WI (US); **Jeffrey Harrow**, Lutz, FL (US); **Robert Jensen**, Milwaukee, WI (US); **John Erdman**, Sturtevant, WI (US)

(73) Assignees: **The United States of America as represented by the United States Department of Veterans Affairs**, Washington, DC (US); **Medical College of Wisconsin**, Milwaukee, WI (US); **University of South Florida**, Tampa, FL (US)

(**) Term: **14 Years**

(21) Appl. No.: **29/319,243**

(22) Filed: **Jun. 5, 2008**

(51) **LOC (9) Cl.** **12-12**

(52) **U.S. Cl.** **D12/132**

(58) **Field of Classification Search** D12/128-133;
296/65.03, 65.04; 224/409; 297/DIG. 4;
280/62, 647-650, 29, 200, 47.38, 250.1,
280/259, 642, 658; 5/428, 430, 617

See application file for complete search history.

(56) **References Cited**

U.S. PATENT DOCUMENTS

D289,992 S * 5/1987 Schrage D12/132

5,197,156 A * 3/1993 Stryker et al. 5/428
6,253,397 B1 * 7/2001 Bartow et al. 5/430
D454,319 S * 3/2002 Ito D12/131
7,100,222 B2 * 9/2006 Metz et al. 5/430
7,469,433 B2 * 12/2008 Ruehl et al. 5/617

* cited by examiner

Primary Examiner—Charles A Rademaker

Assistant Examiner—Charles D Hanson

(57) **CLAIM**

The ornamental design for a prone cart, as shown and described.

DESCRIPTION

This invention was made with the support of the Department of Veterans Affairs, Government of the United States under a merit review grant to the Milwaukee and Tampa Veterans Affairs Medical Centers. The Government retains certain rights in the invention.

FIG. 1 is a perspective view of a prone cart showing our new design.

FIG. 2 is a right side view of the prone cart of FIG. 1; the left side is a mirror image thereof

FIG. 3 is a plan view of the prone cart of FIG. 1.

FIG. 4 is a front view of the prone cart of FIG. 1; and,

FIG. 5 is a rear view of the prone cart of FIG. 1.

1 Claim, 4 Drawing Sheets

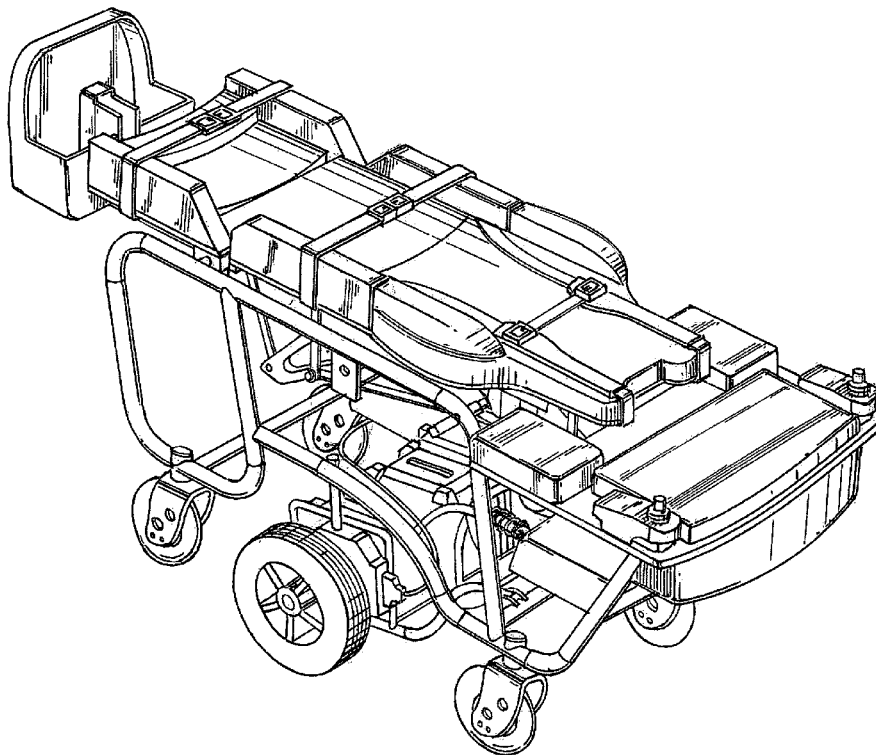


FIG. 1

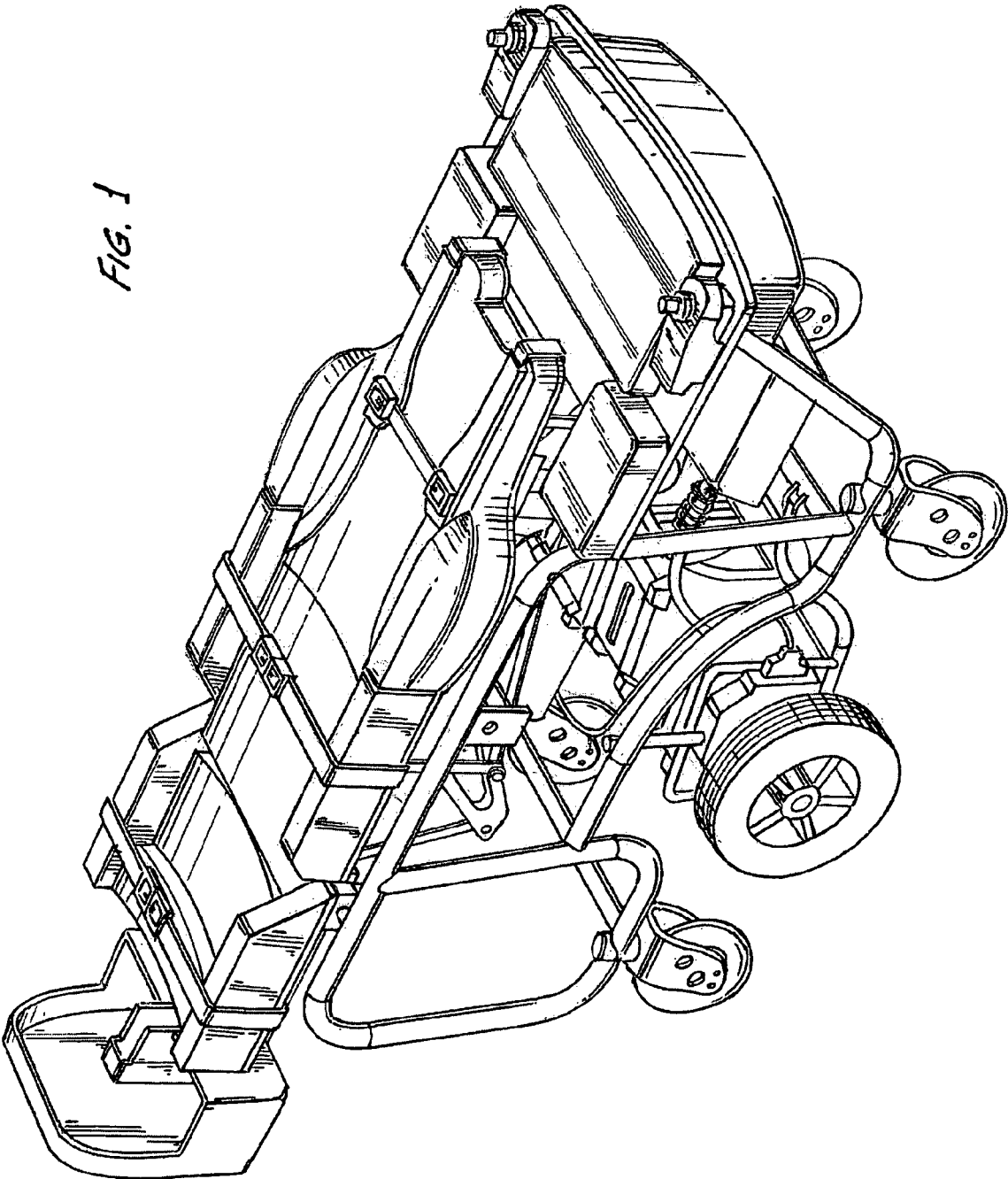


FIG. 2

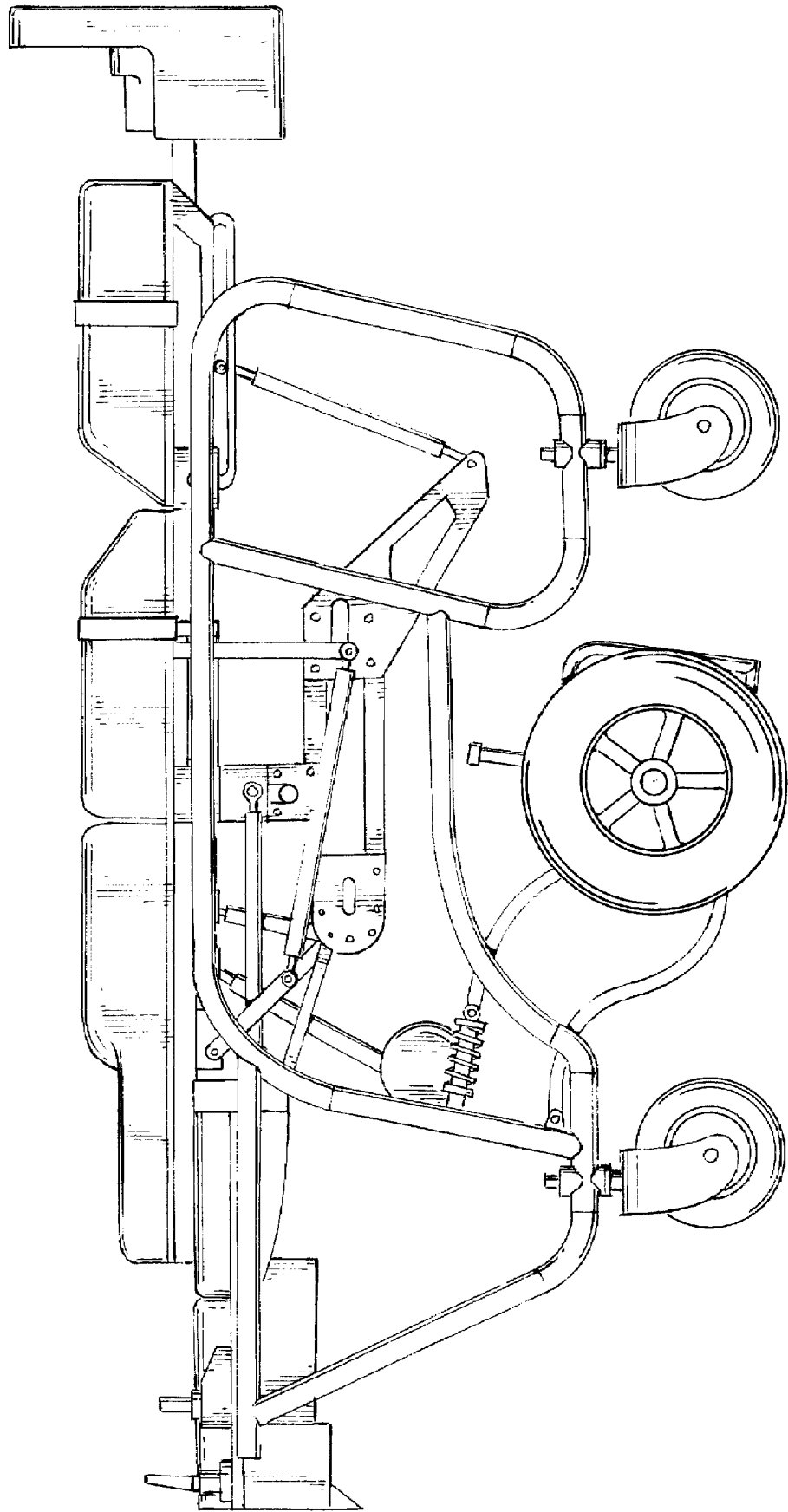


FIG. 3

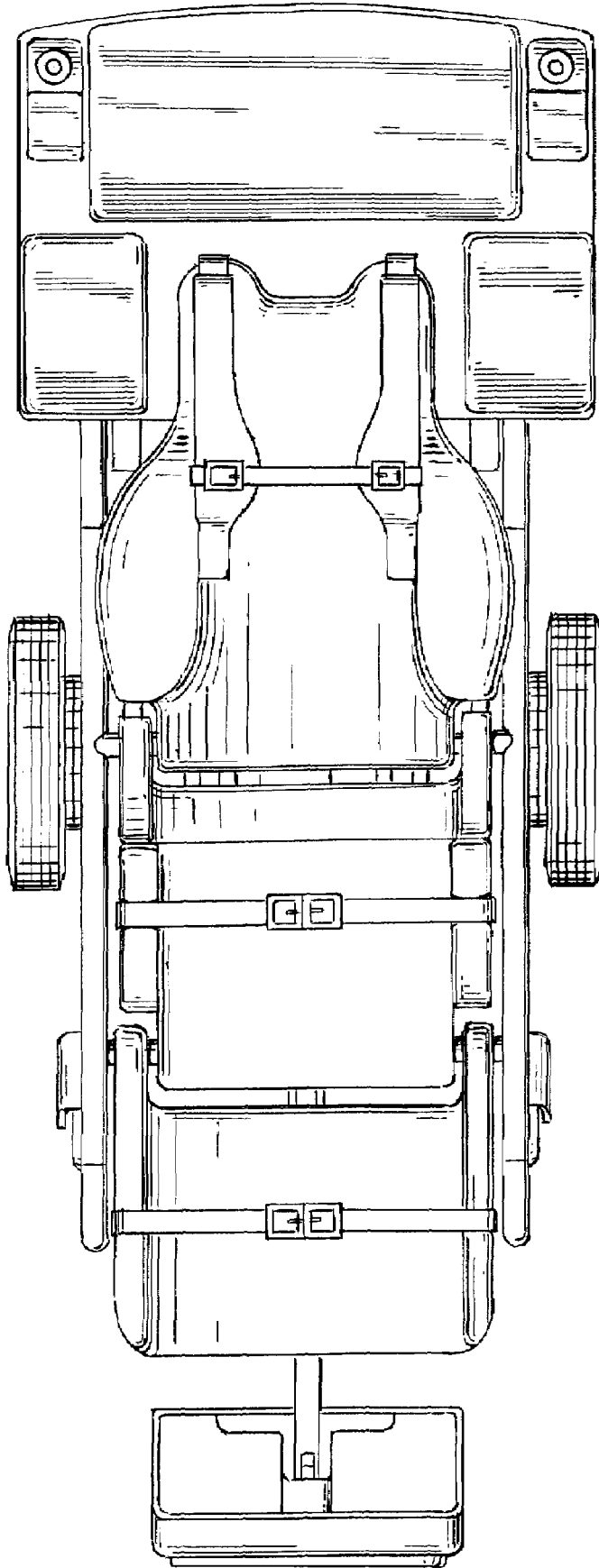


FIG. 5

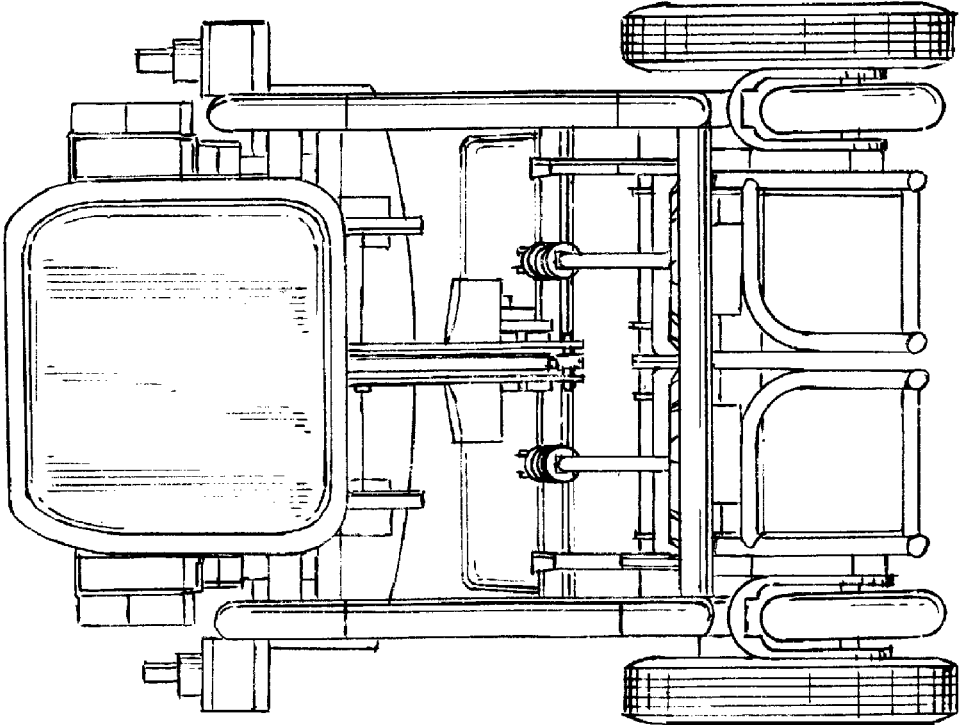


FIG. 4

