
USF Patents

12-9-2014

Omnidirectional mobility device

Merry L. Morris

University of South Florida, mmorris3@usf.edu

Thomas Messerschmidt

Tim John Lewis

Follow this and additional works at: http://scholarcommons.usf.edu/usf_patents

Recommended Citation

Morris, Merry L.; Messerschmidt, Thomas; and Lewis, Tim John, "Omnidirectional mobility device" (2014). *USF Patents*. 173.
http://scholarcommons.usf.edu/usf_patents/173

This Patent is brought to you for free and open access by Scholar Commons. It has been accepted for inclusion in USF Patents by an authorized administrator of Scholar Commons. For more information, please contact scholarcommons@usf.edu.



US00D719071S

(12) **United States Design Patent**
Morris et al.

(10) **Patent No.:** **US D719,071 S**

(45) **Date of Patent:** **** Dec. 9, 2014**

(54) **OMNIDIRECTIONAL MOBILITY DEVICE**
(71) Applicants: **Merry Lynn Morris**, Tampa, FL (US);
Thomas Messerschmidt, Riverside, CA
(US); **Tim John Lewis**, Garden Grove,
CA (US)

(72) Inventors: **Merry Lynn Morris**, Tampa, FL (US);
Thomas Messerschmidt, Riverside, CA
(US); **Tim John Lewis**, Garden Grove,
CA (US)

(73) Assignee: **University of South Florida**, Tampa, FL
(US)

(**) Term: **14 Years**

(21) Appl. No.: **29/448,044**

(22) Filed: **Mar. 8, 2013**

(51) **LOC (10) Cl.** **12-12**

(52) **U.S. Cl.**
USPC **D12/128**

(58) **Field of Classification Search**
USPC D12/128-133; 280/62, 647-650, 29,
280/200, 47.38, 250.1, 259, 642, 658;
296/65.03, 65.04; 224/409; 180/204,
180/253, 343; 482/69; 47/39; 135/67
See application file for complete search history.

(56) **References Cited**

U.S. PATENT DOCUMENTS

4,413,693 A * 11/1983 Derby 180/343
4,483,405 A * 11/1984 Noda et al. 180/6.5
5,547,038 A * 8/1996 Madwed 180/253

6,128,853 A * 10/2000 Klonel et al. 47/39
6,135,228 A * 10/2000 Asada et al. 180/204
6,540,039 B1 * 4/2003 Yu et al. 180/253
6,578,594 B1 * 6/2003 Bowen et al. 135/67
7,350,789 B2 * 4/2008 Uffner et al. 280/33.998
7,418,328 B2 * 8/2008 Romig 701/41
7,938,756 B2 * 5/2011 Rodetsky et al. 482/69

* cited by examiner

Primary Examiner — Ian Simmons

Assistant Examiner — Charles Hanson

(74) *Attorney, Agent, or Firm* — Nilay J. Choksi; Smith &
Hopen, P.A.

(57) **CLAIM**

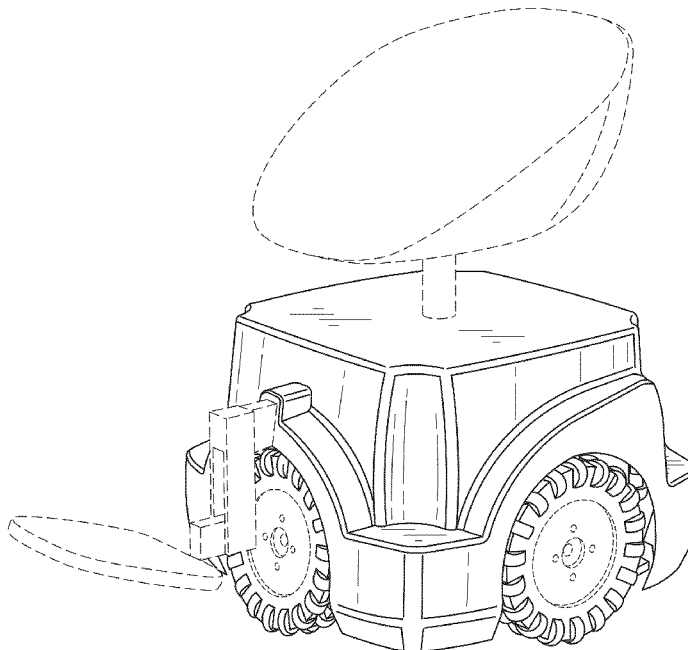
The ornamental design for an omnidirectional mobility
device, as substantially shown and described.

DESCRIPTION

FIG. 1 is a perspective view of an omnidirectional mobility
device, showing the novel design;
FIG. 2 is a front view of the omnidirectional mobility
device shown in FIG. 1;
FIG. 3 is a rear view of the omnidirectional mobility
device shown in FIG. 1;
FIG. 4 is a side elevational view of the omnidirectional mobil-
ity device shown in FIG. 1;
FIG. 5 is a top plan view of the omnidirectional mobility
device shown in FIG. 1;
FIG. 6 is a bottom plan view of the omnidirectional mobility
device shown in FIG. 1; and,
FIG. 7 is a close-up view of the encircled portion shown in
FIG. 6.

The matter delineated in broken lines forms no part of the
claimed ornamental design.

1 Claim, 7 Drawing Sheets



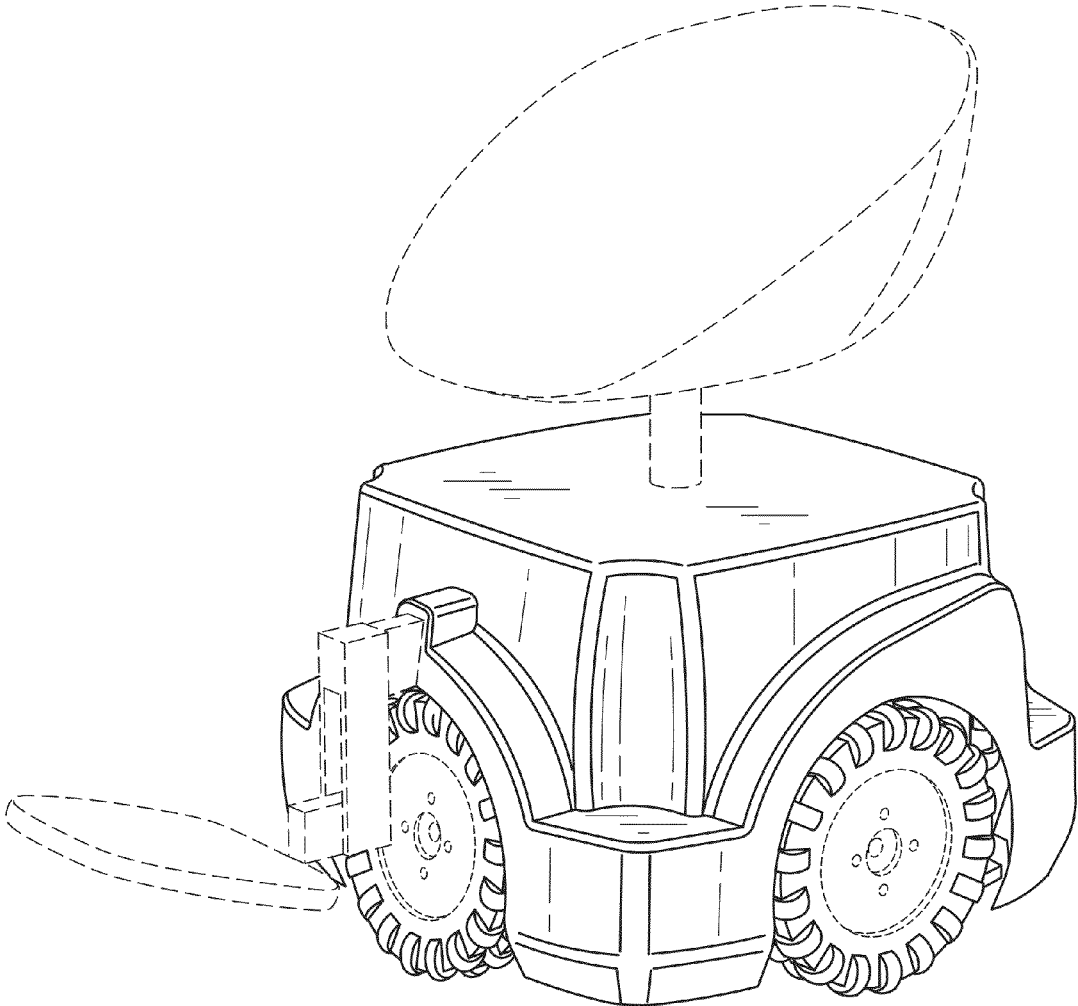


FIG. 1

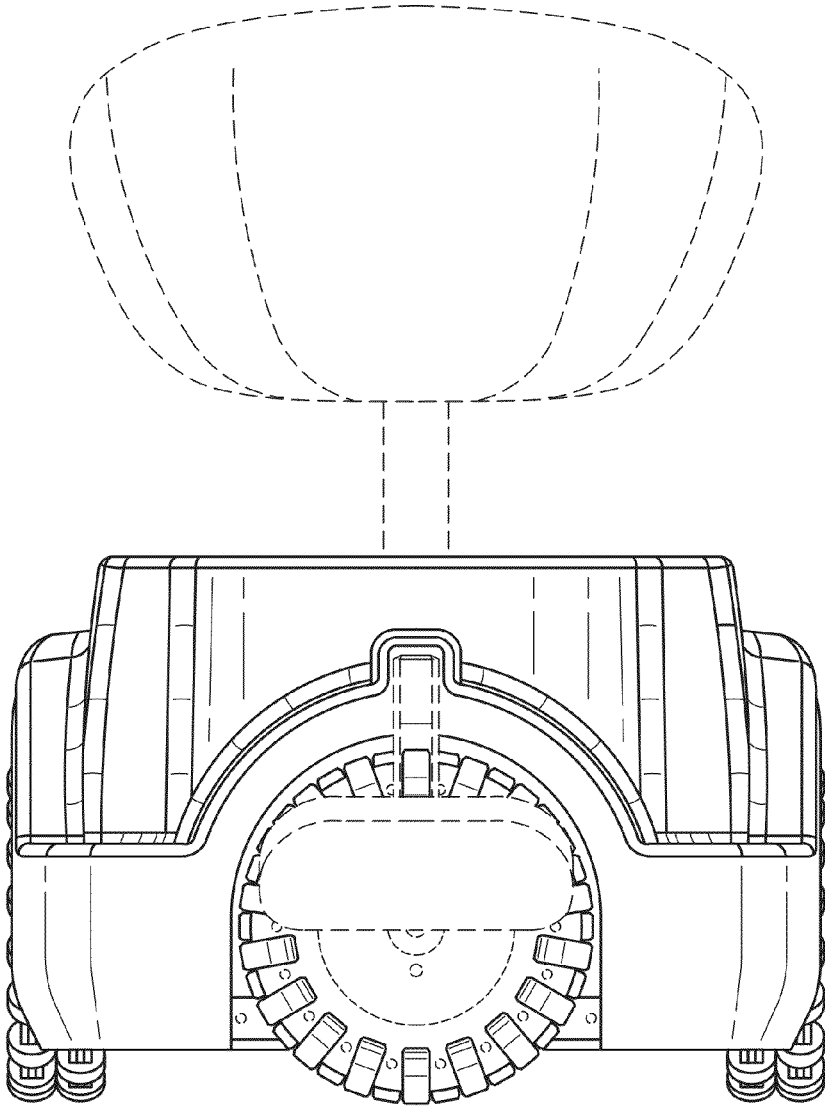


FIG. 2

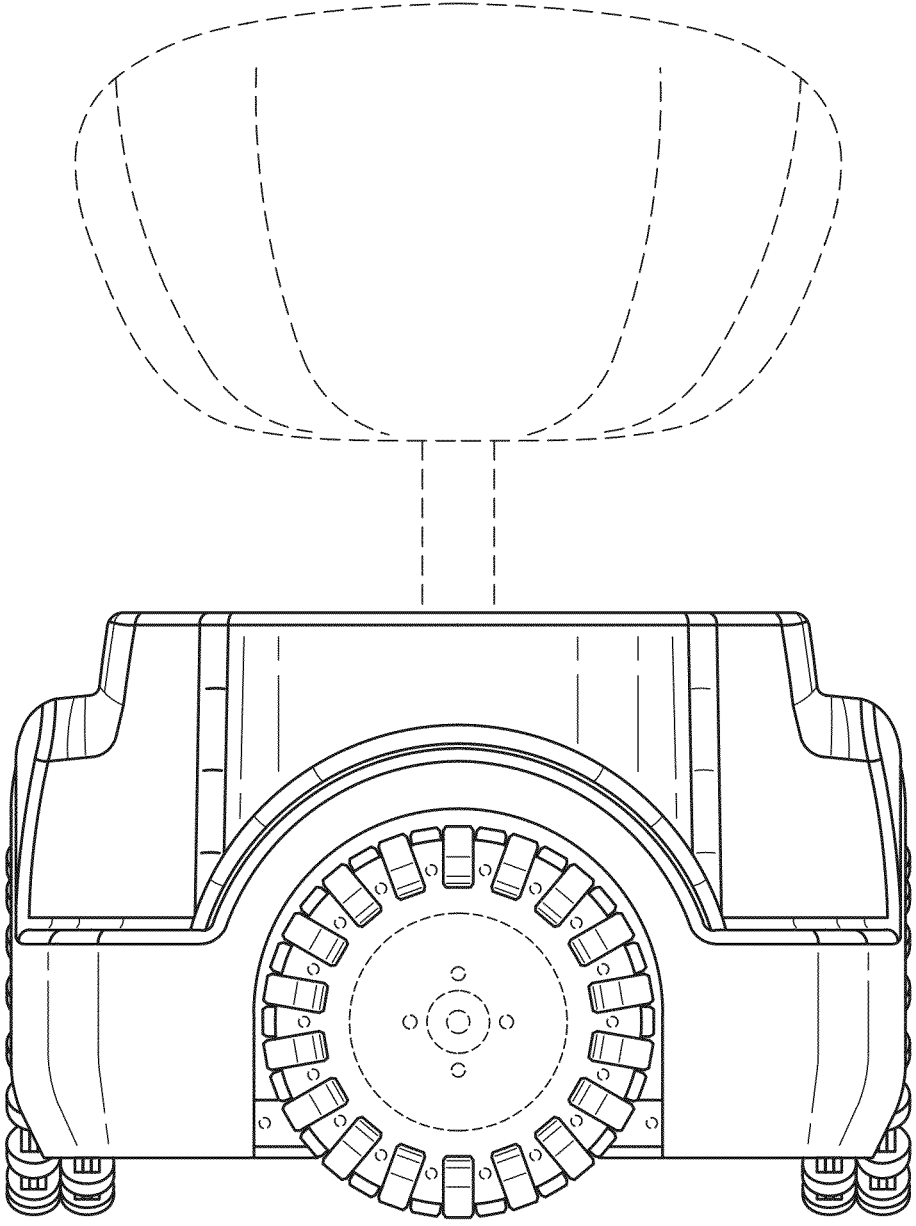
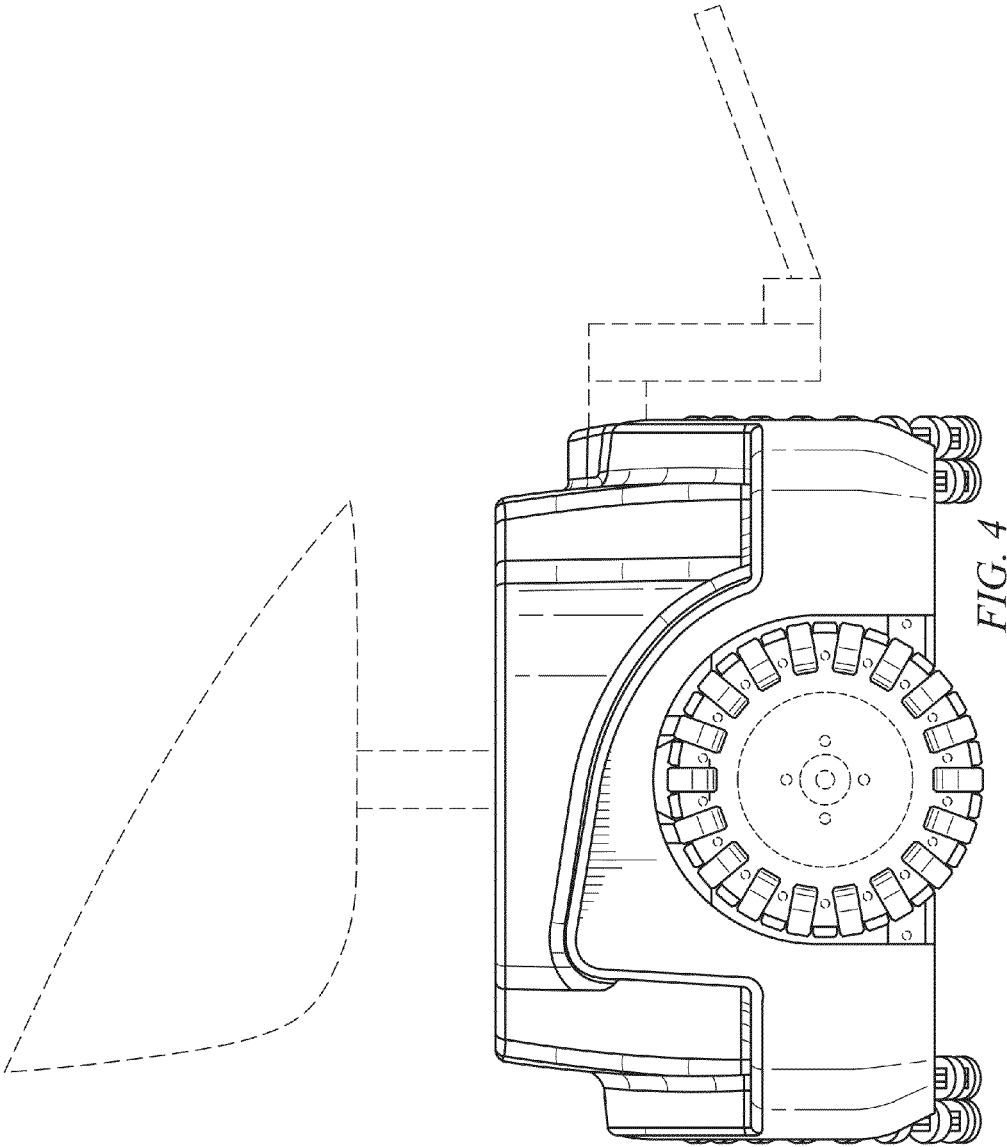


FIG. 3



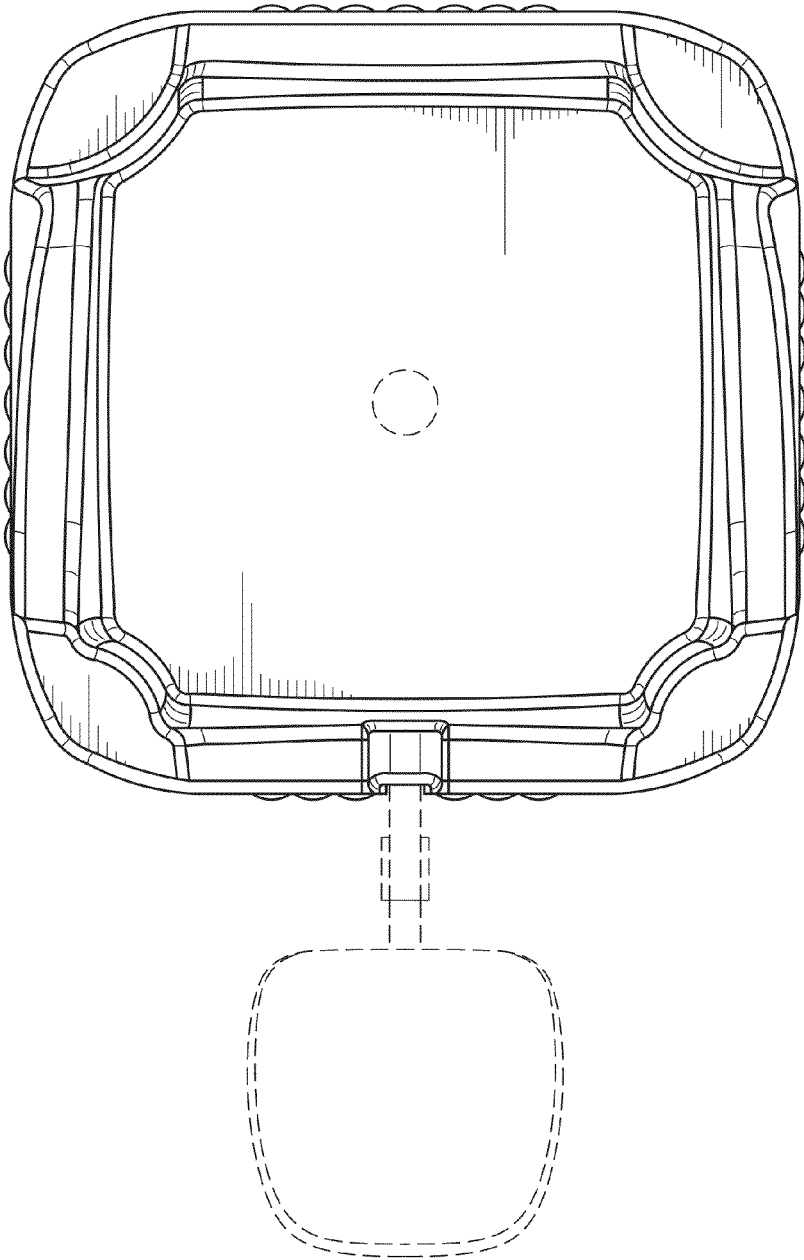


FIG. 5

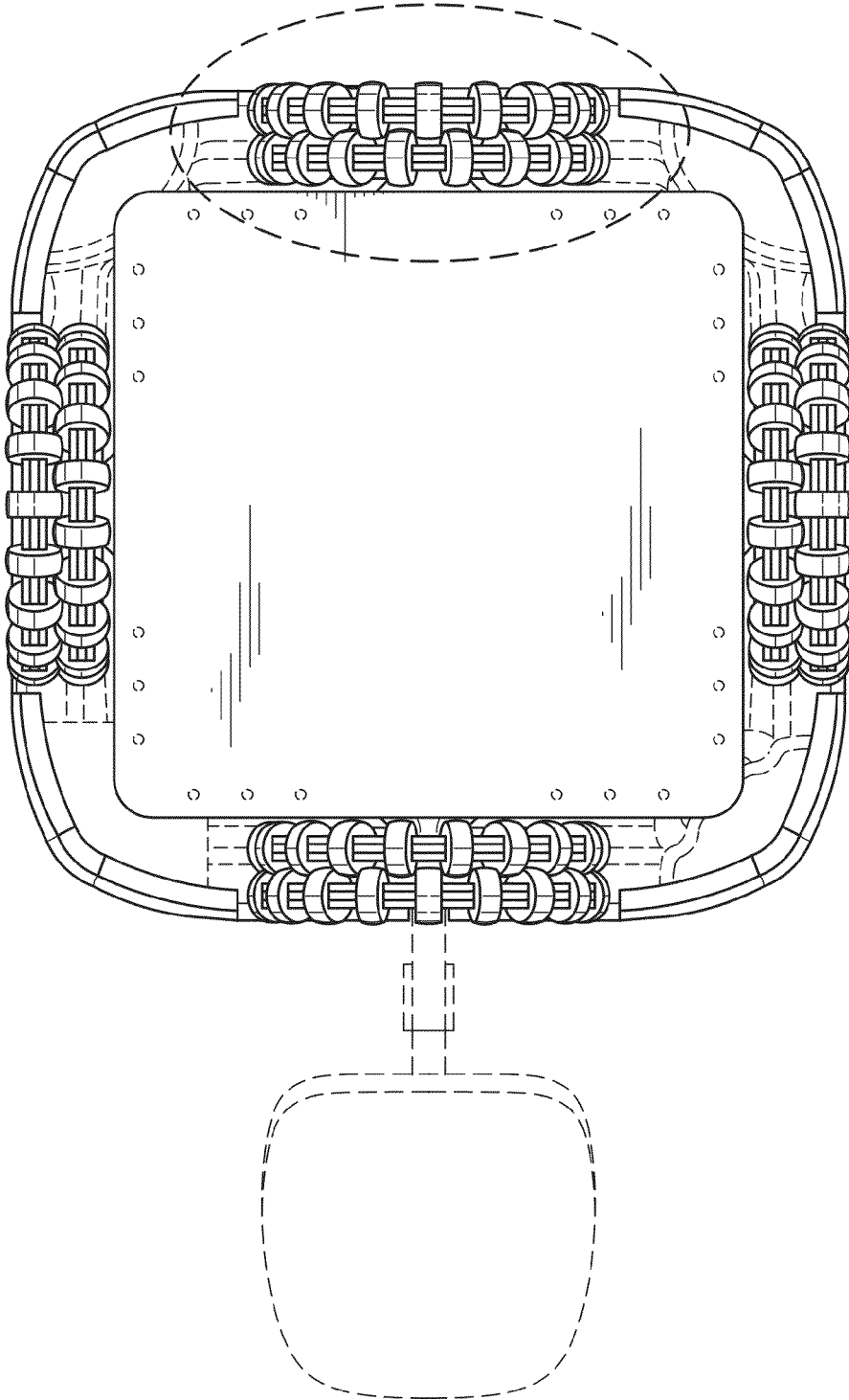


FIG. 6

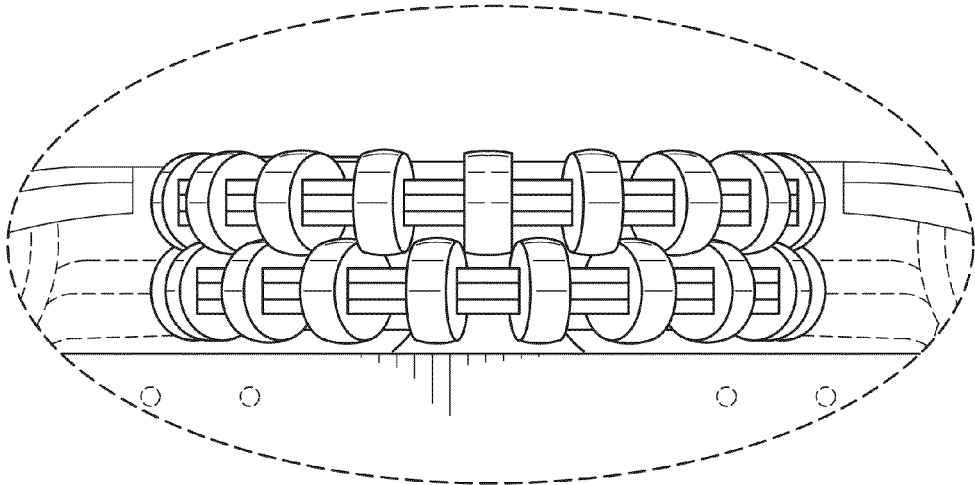


FIG. 7

UNITED STATES PATENT AND TRADEMARK OFFICE
CERTIFICATE OF CORRECTION

PATENT NO. : D719,071 S
APPLICATION NO. : 29/448044
DATED : December 9, 2014
INVENTOR(S) : Merry Lynn Morris et al.

Page 1 of 1

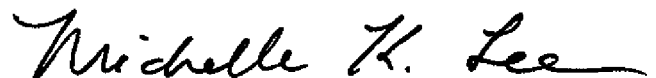
It is certified that error appears in the above-identified patent and that said Letters Patent is hereby corrected as shown below:

On the title page

Item (71) Applicants should read: Merry Lynn Morris, Tampa, FL (US);
Mark Rumsey, Murrieta, CA (US)

Item (72) Inventors should read: Merry Lynn Morris, Tampa, FL (US)
Mark Rumsey, Murrieta, CA (US)

Signed and Sealed this
Twenty-fourth Day of November, 2015



Michelle K. Lee
Director of the United States Patent and Trademark Office